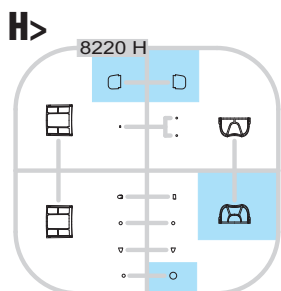
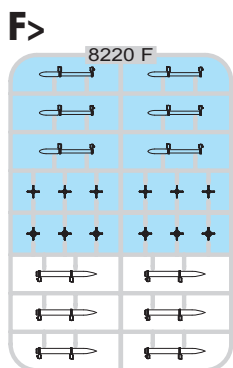
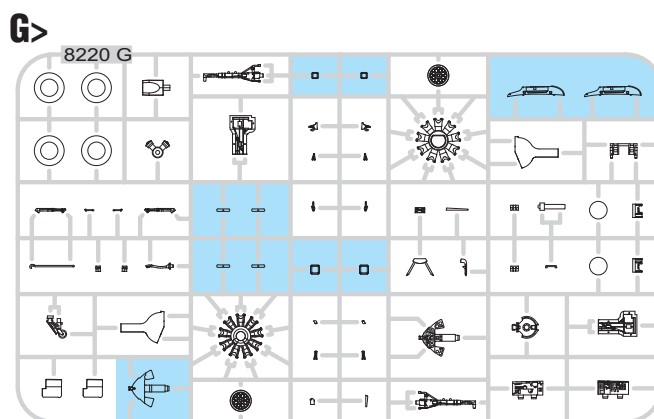
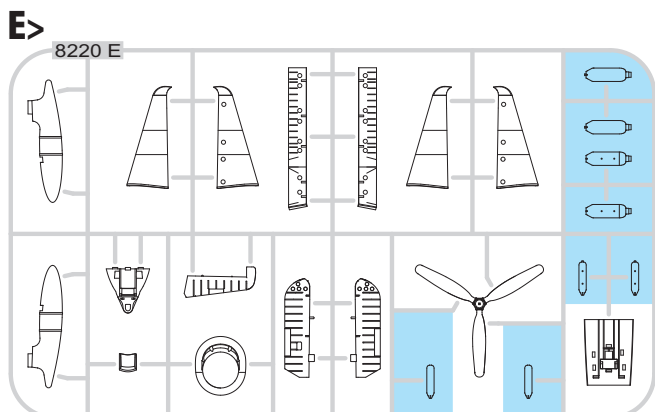
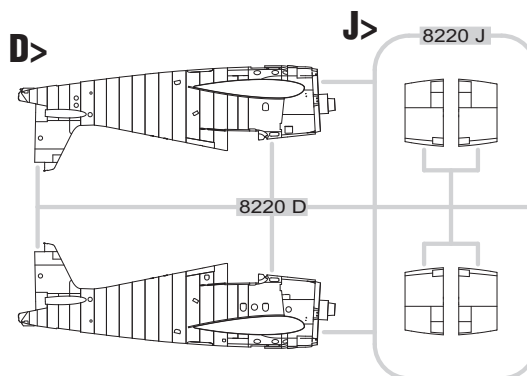
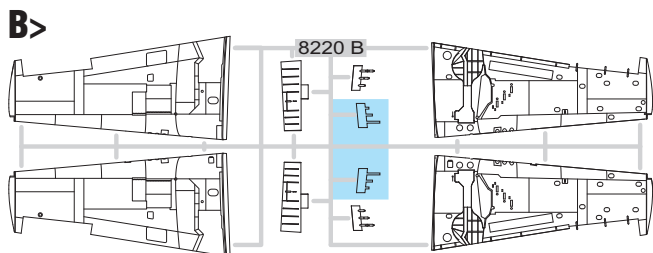
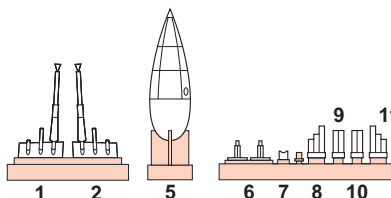


PLASTIC PARTS



RP - RESIN PARTS



GUNZE		
H1	C1	WHITE
H11	C62	FLAT WHITE
H12	C33	FLAT BLACK
H27	C44	TAN
H47	C41	RED BROWN
H54	C365	NAVY BLUE
H58	C351	INTERIOR GREEN
H76	C61	BURNT IRON
H77	C137	TIRE BLACK
H90	C47	CLEAR RED
H91	C48	CLEAR YELLOW
H94	C138	CLEAR GREEN
H306	C306	GRAY
H329	C329	YELLOW
MR. METAL COLOR		
MC214		DARK IRON
MC218		ALUMINIUM

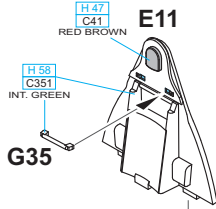
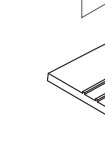
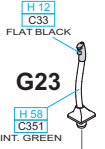
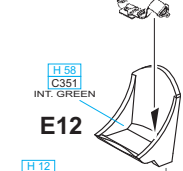
ATTENTION * UPOZORNĚNÍ * ACHTUNG * ATTENTION

- (GB)** Carefully read instruction sheet before assembling. When you use glue or paint, do not use near open flame and use in well ventilated room. Keep out of reach of small children. Children must not be allowed to suck any part, or pull vinyl bag over the head.
- (CZ)** Před započatím stavby si pečlivě prostudujte stavební návod. Při používání barev a lepidel pracujte v dobře větrané místnosti. Lepidla ani barvy nepoužívejte v blízkosti otevřeného ohně. Model není určen malým dětem, mohlo by dojít k požití drobných dílů.
- (D)** Vor dem Zusammenbau die Bauanleitung gut durchlesen. Kleber und Farben nicht in der Nähe von offenem Feuer verwenden und für eine ausreichende Belüftung sorgen. Den Bausatz von kleinen Kindern fernhalten. Vermeiden Sie, dass Kinder Bauteile in den Mund nehmen oder sich Plastiktüten über den Kopf ziehen.
- (F)** Lire soigneusement la fiche d'instructions avant d'assembler. Ne pas utiliser de colle ou de peinture à proximité d'une flamme nue, et aérer la pièce de temps en temps. Garder hors de portée des enfants en bas âge. Ne pas laisser les enfants mettre en bouche ou sucer les pièces, ou passer un sachet vinyl sur la tête.

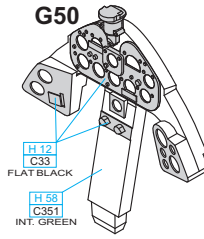
INSTRUCTION SIGNS * INSTR. SYMBOLY * INSTRUKTION SINNBILDEN * SYMBOLES

- (?)** OPTIONAL FACULTATIF NACH BELIEBEN VOLBA
- (↑)** BEND PLIER SIL VOUS PLAIT BITTE BIEGEN OHNOUT
- (⊘)** OPEN HOLE FAIRE UN TROU OFFNEN VYVRTAT OTVOR
- (↔)** SYMETRICAL ASSEMBLY MONTAGE SYMÉTRIQUE SYMMETRISCHE AUFBAU SYMETRICKÁ MONTÁŽ
- (↺)** REVERSE SIDE OTOČIT
- (✂)** REMOVE RETIRER ENTFERNEN ODŘÍZNOUT

decal 32



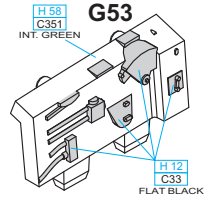
OPTIONAL:
decal 25, 26, 27, 30



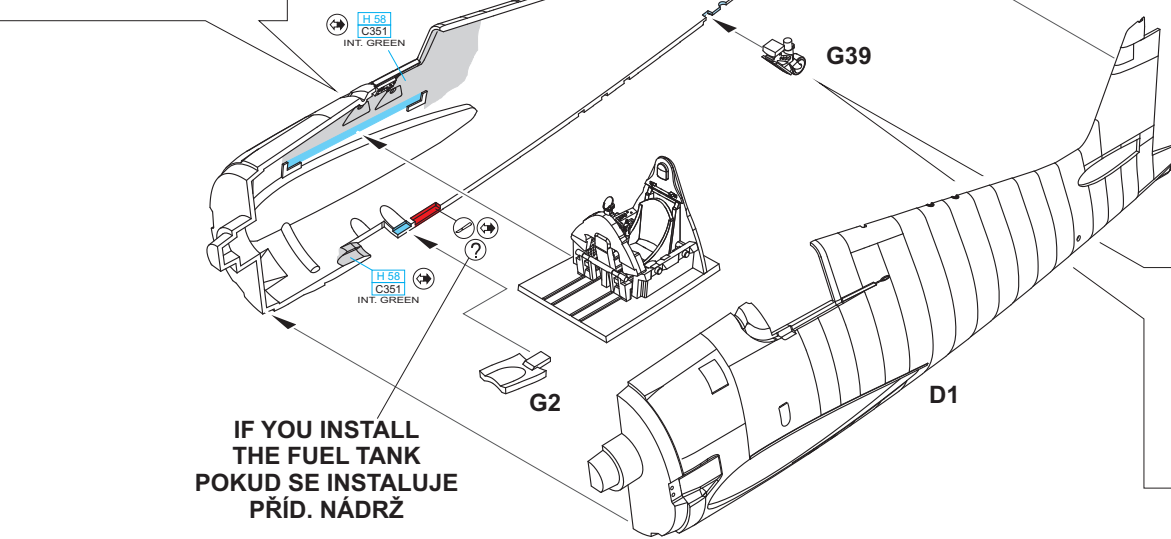
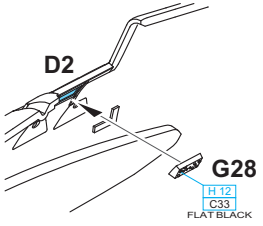
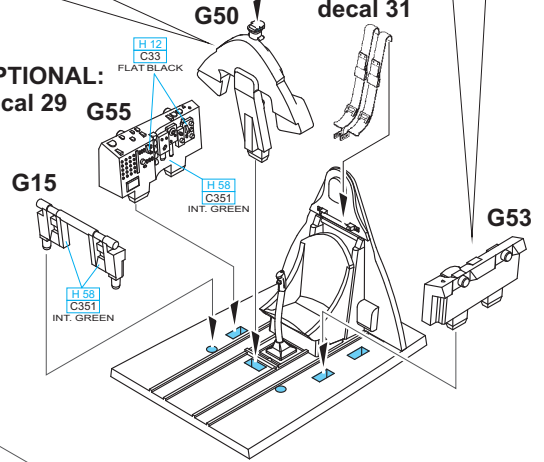
H9



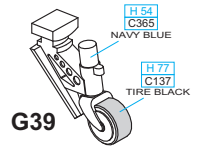
OPTIONAL: decal 28



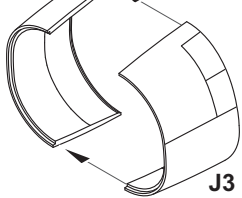
OPTIONAL:
decal 29



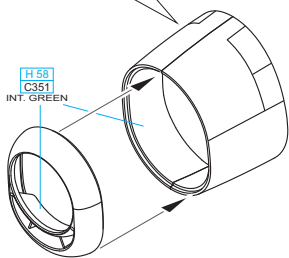
IF YOU INSTALL
THE FUEL TANK
POKUD SE INSTALUJE
PŘÍD. NÁDRŽ



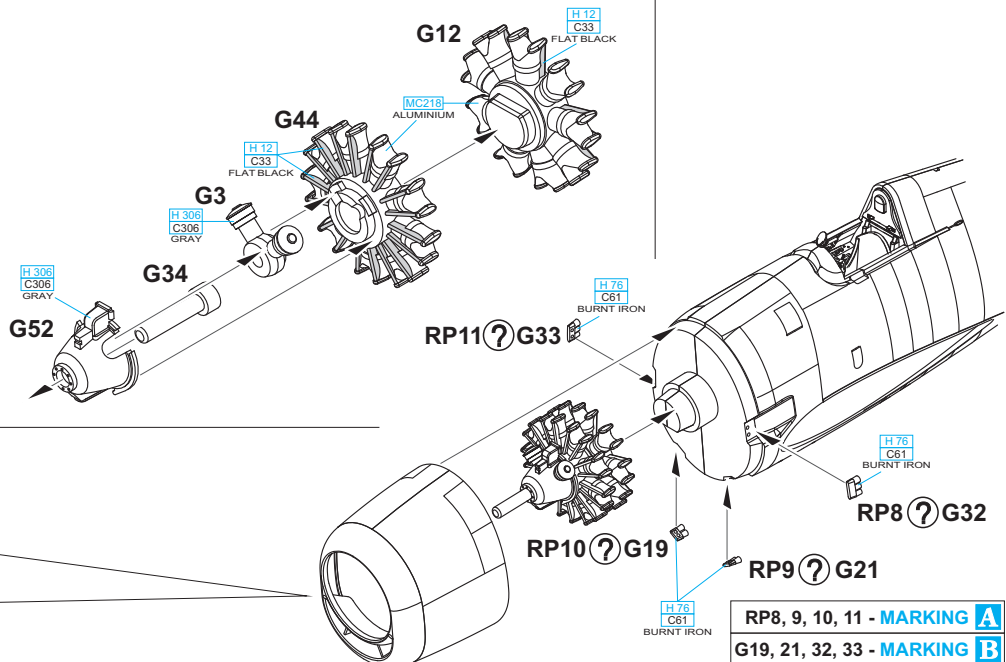
J4



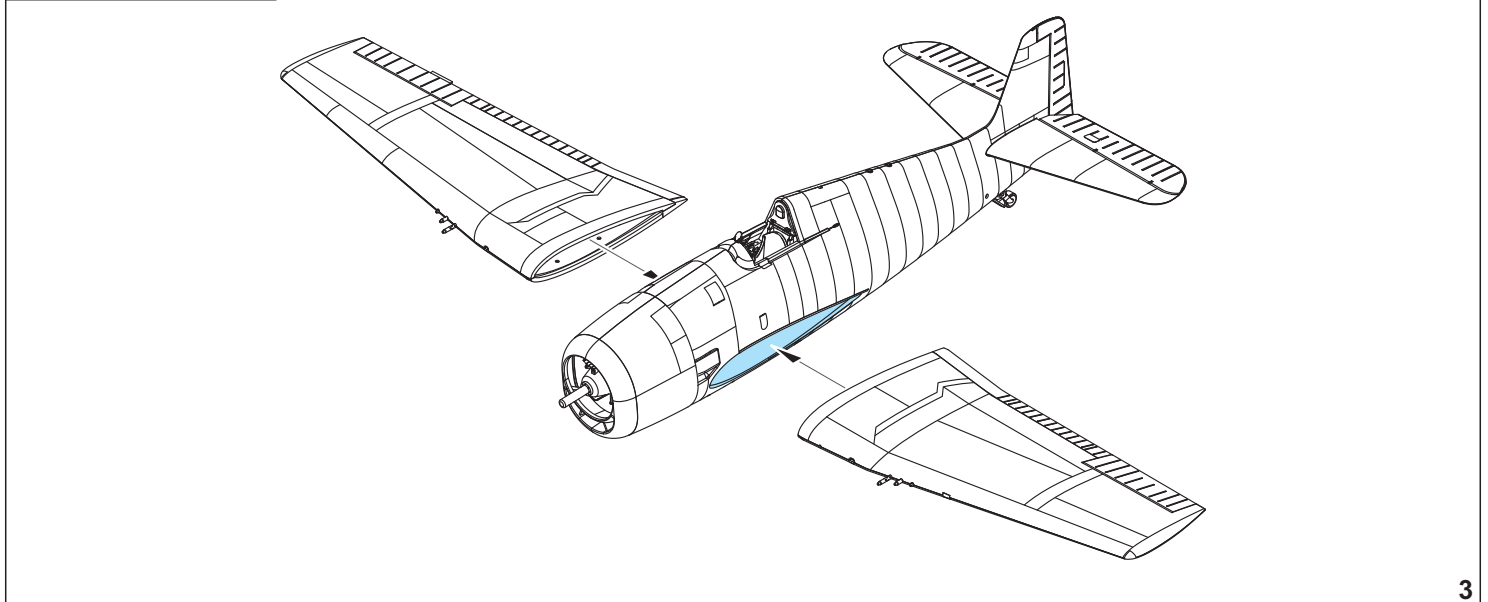
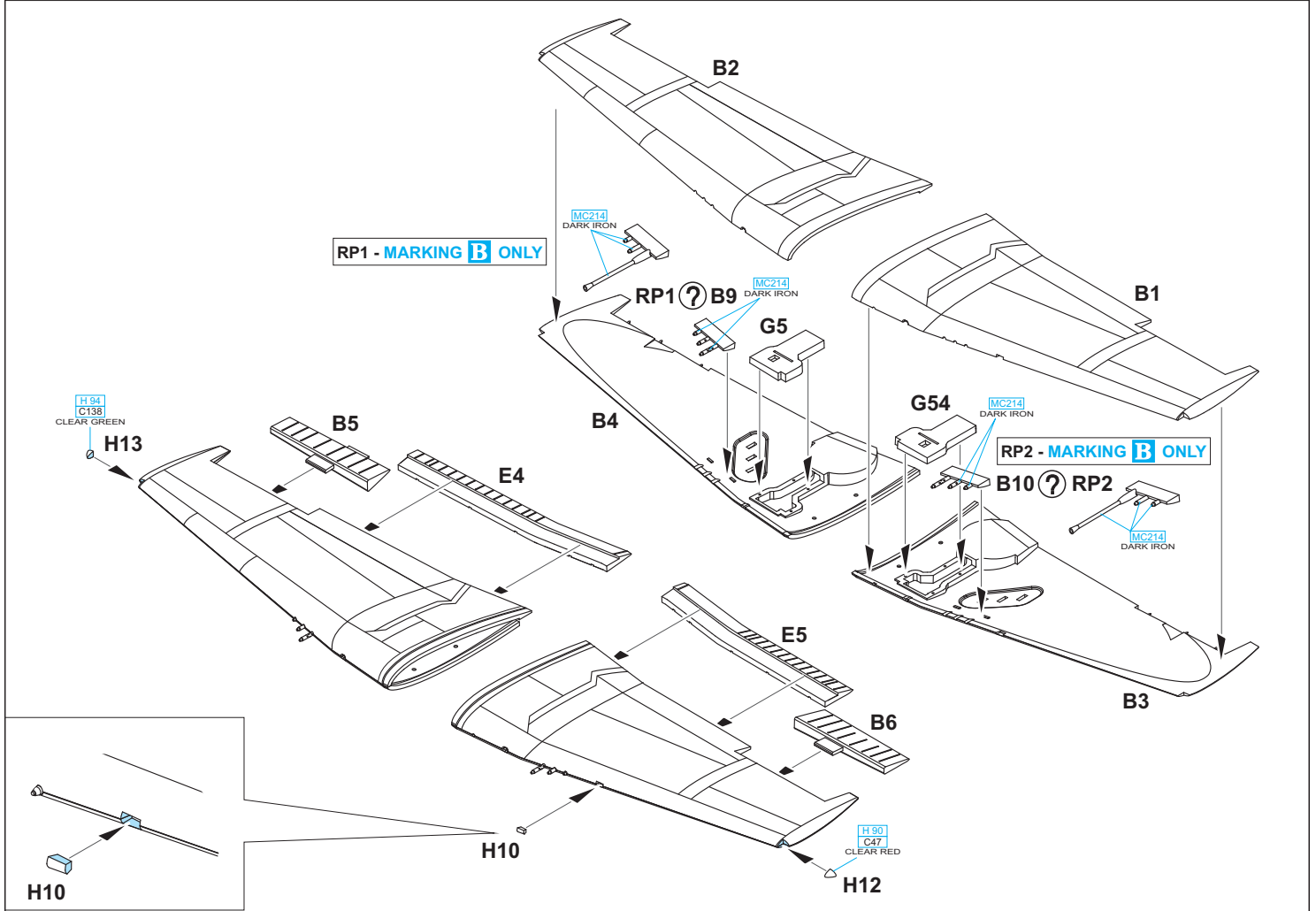
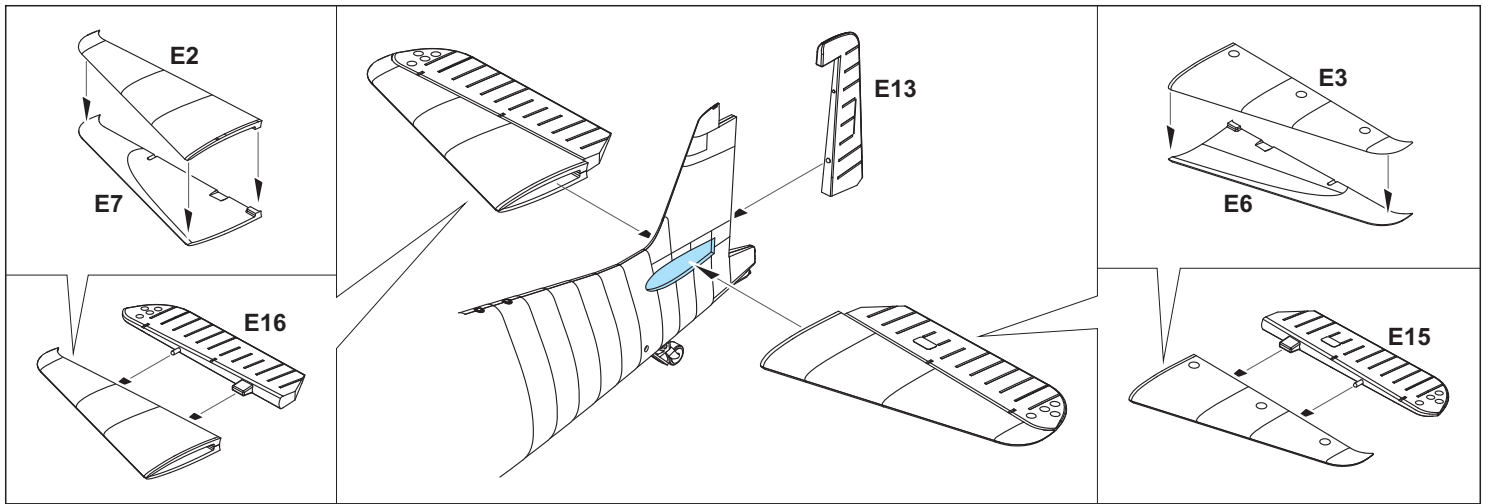
J3

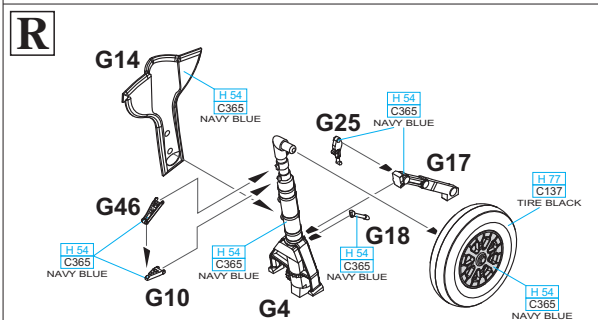
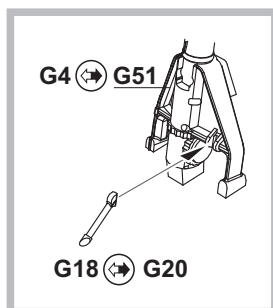
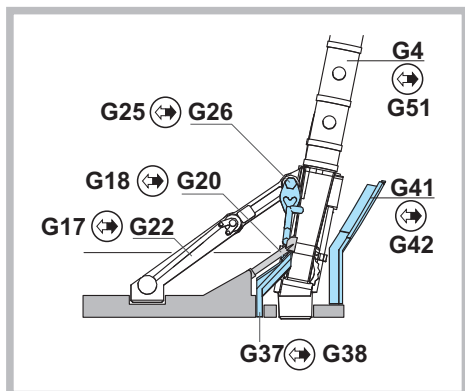
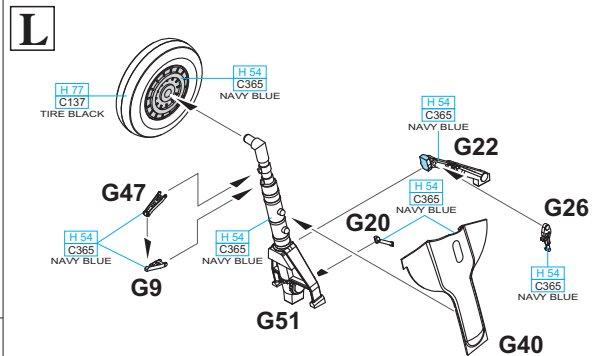
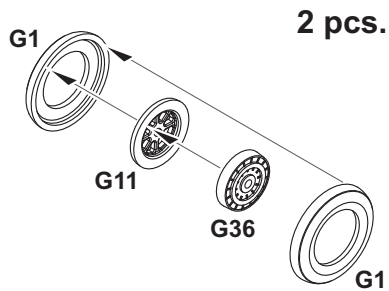
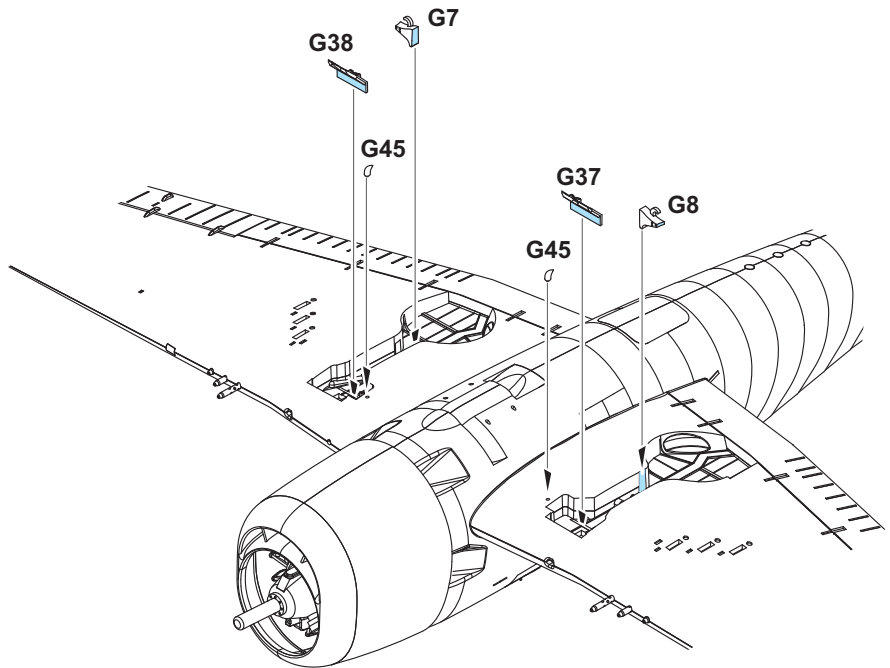
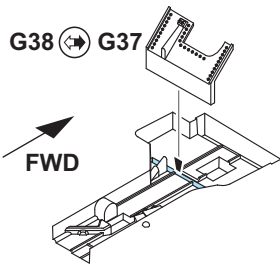
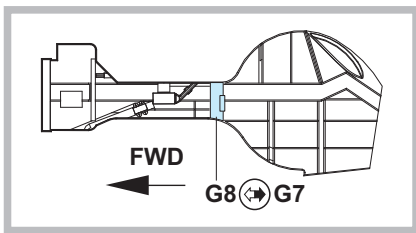
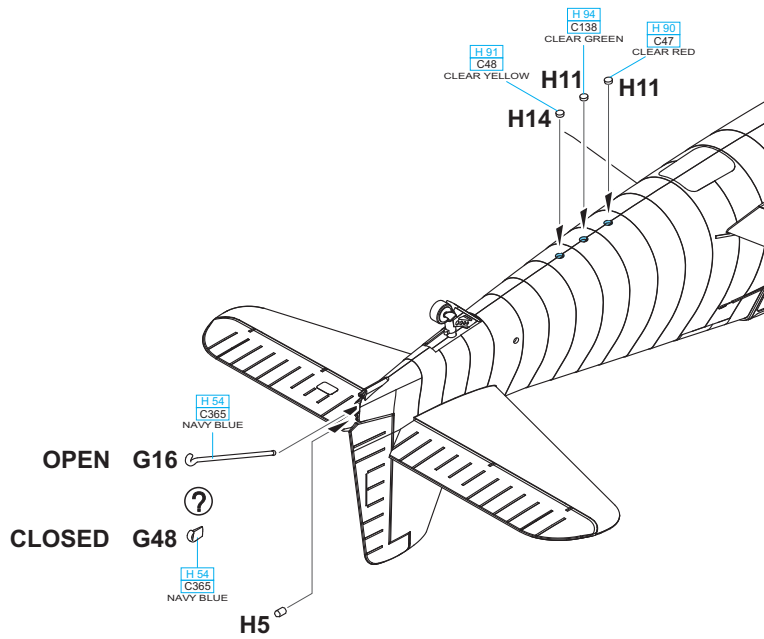


E14

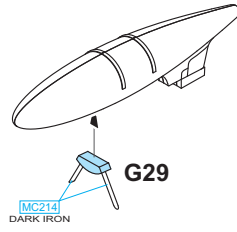
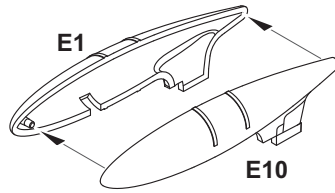
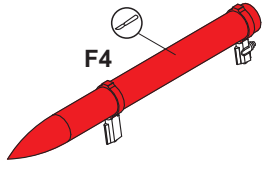


RP8, 9, 10, 11 - MARKING A
G19, 21, 32, 33 - MARKING B

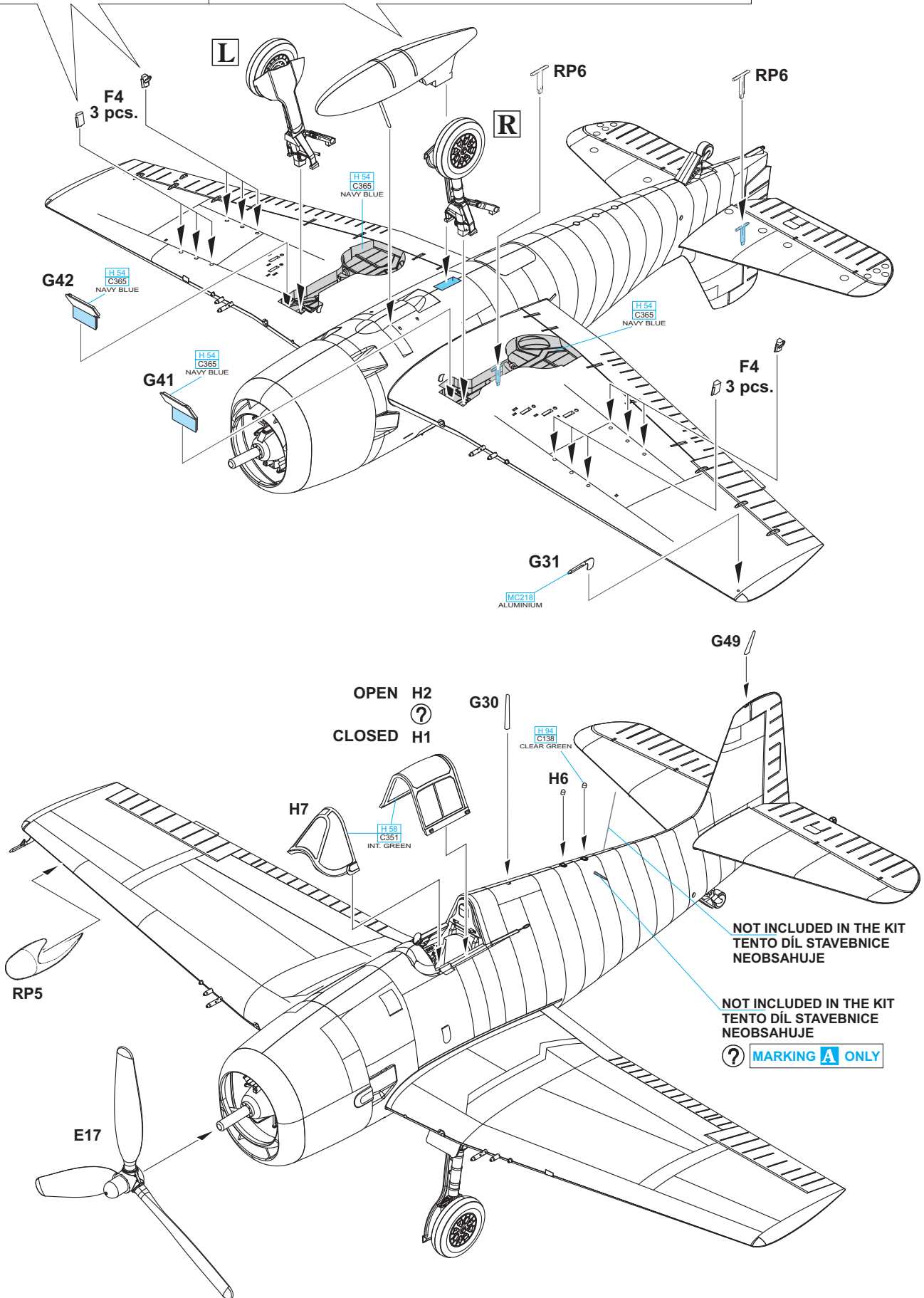




6 pcs.



MC214
DARK IRON



F4
3 pcs.

G42
H 54
C365
NAVY BLUE

G41
H 54
C365
NAVY BLUE

H 54
C365
NAVY BLUE

H 54
C365
NAVY BLUE

F4
3 pcs.

G31
MC218
ALUMINIUM

G49

OPEN H2
CLOSED H1

G30

H 34
C135
CLEAR GREEN

H6

H7

H 58
C351
INT. GREEN

NOT INCLUDED IN THE KIT
TENTO DÍL STAVEBNICE
NEOBSAHUJE

NOT INCLUDED IN THE KIT
TENTO DÍL STAVEBNICE
NEOBSAHUJE

MARKING A ONLY

A F6F-5N, VF(N)-90, USS Enterprise, 1945

Together with Night Torpedo Squadron 90, Night Fighter Squadron 90 made up Night Air Group 90, which deployed aboard the carrier USS Enterprise CV-6 between December 24, 1944 and May 31, 1945. In intensive action over Luzon, Formosa, Tokyo, Iwo Jima, Okinawa and Kyushu, VF(N)-90 claimed 42 enemy planes destroyed, four more damaged or destroyed, and was the second most successful VF(N) squadron in World War II.

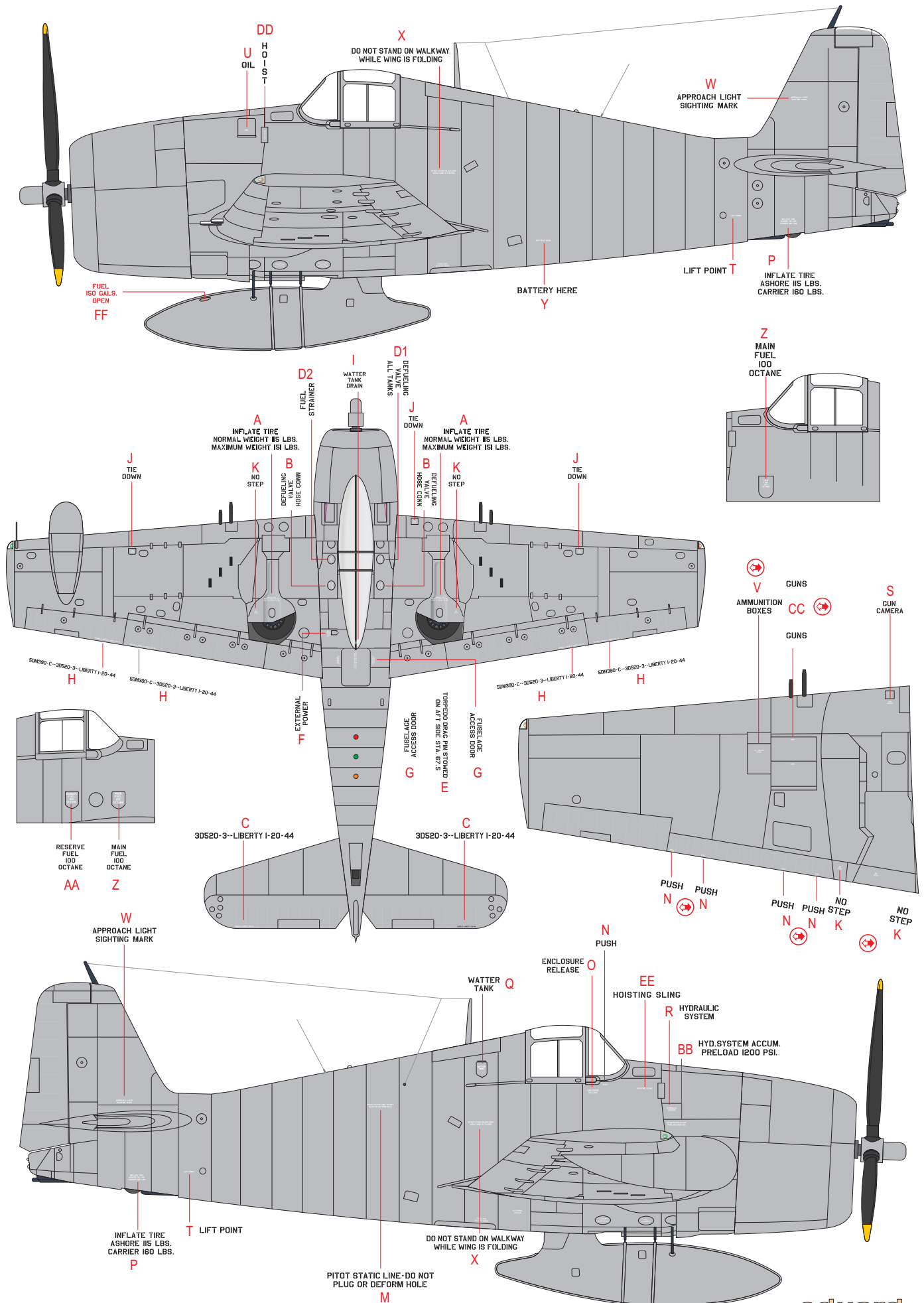


ČESKOU VERZI TEXTU NALEZNETE NA
www.eduard.com/s/84133



YELLOW	H329 C329	WHITE	H1 C1
NAVY BLUE	H54 C365	BLACK	H12 C33
		TAN	H27 C44

eduard



B F6F-5N BuNo. 78704, Cpt. Robert Baird, VMF(N)-533, Ie Shima, Okinawa, June 1945

On October 1, 1943, Marine Night Fighter Squadron was commissioned at Marine Corps Air Station Cherry Point, North Carolina. Originally known as "Black Mac's Killers", the unit was outfitted with the Grumman F6F-5N Hellcat. The squadron left for the West Coast in early April and embarked aboard the USS Long Island (CVE-1) headed for the South Pacific. The squadron moved to Yontan Airfield, Okinawa, in May, 1945 and finally settled at Ie Shima on June 15, 1945. The first night fighter ace of Marine Corps Squadron, Cpt. Robert Baird, piloted this airplane at the time and after World War II remained in the Marine Corps and flew in the Korean conflict.



ČESKOU VERZI TEXTU NALEZNETE NA www.eduard.com/s/84133



YELLOW	H329 C329	WHITE	H11 C62
NAVY BLUE	H54 C365	BLACK	H12 C33

eduard