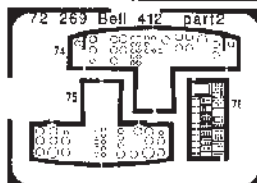
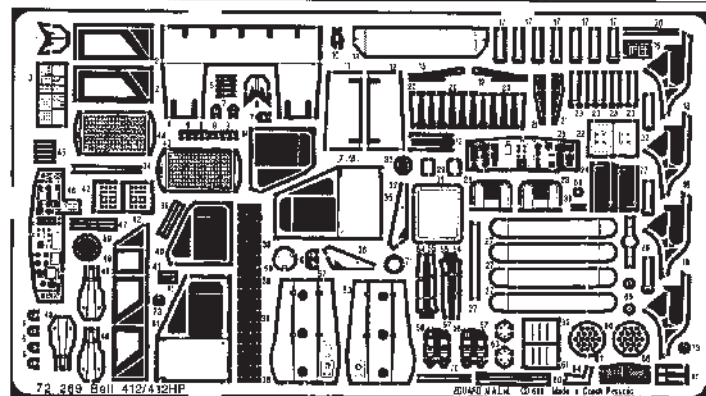




# Bell 412/412HP

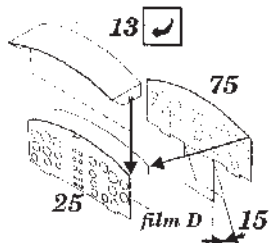
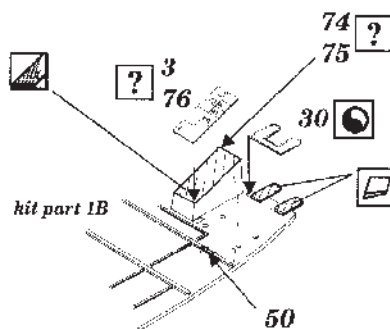
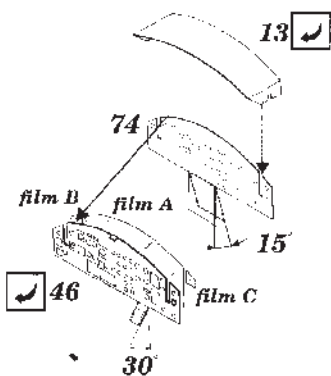
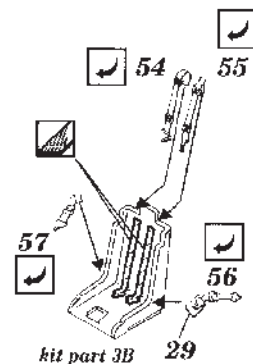
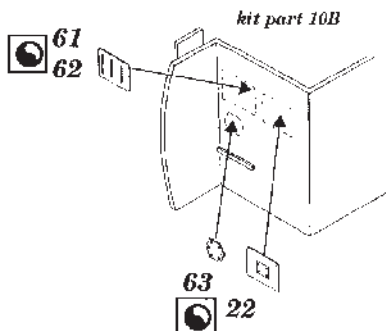
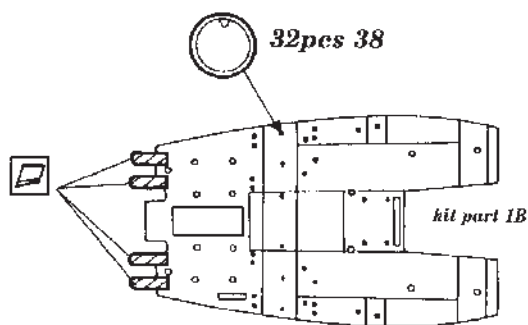
1/72 scale detail set for Italeri kit

**72 269**

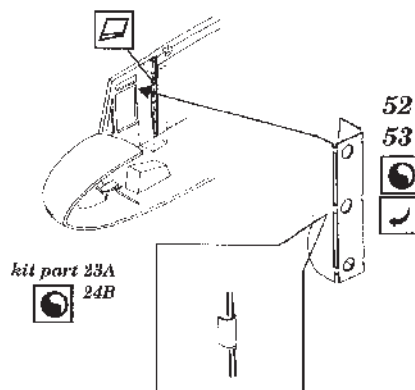
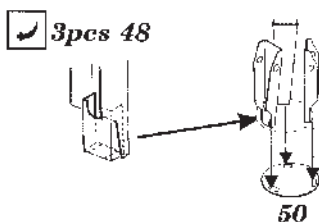


- OPPOSITE SIDE
- REMOVE
- BEND
- REPLACE
- GRIND
- OPTION

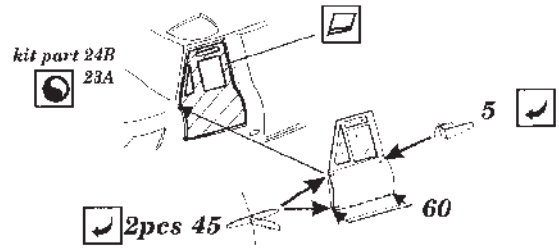
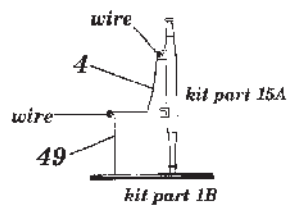
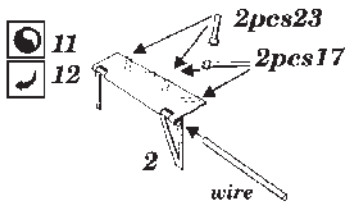
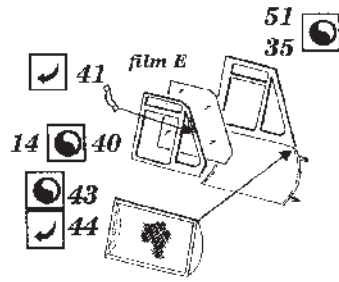
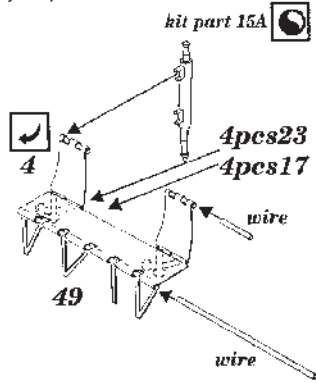
## A COCKPIT



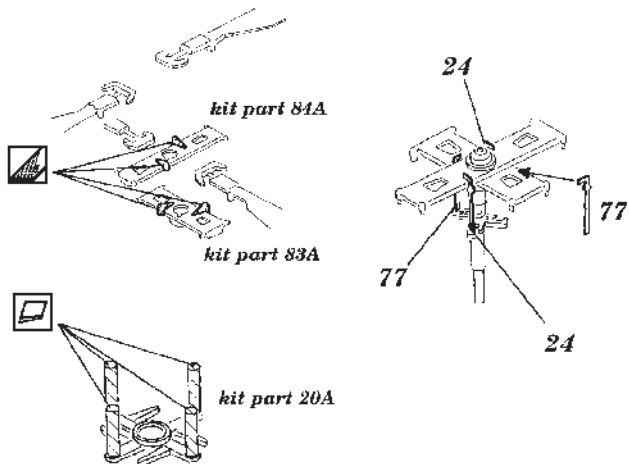
? Bell 412 - parts 3,75,24  
Bell 412HP - parts 76,  
46,74



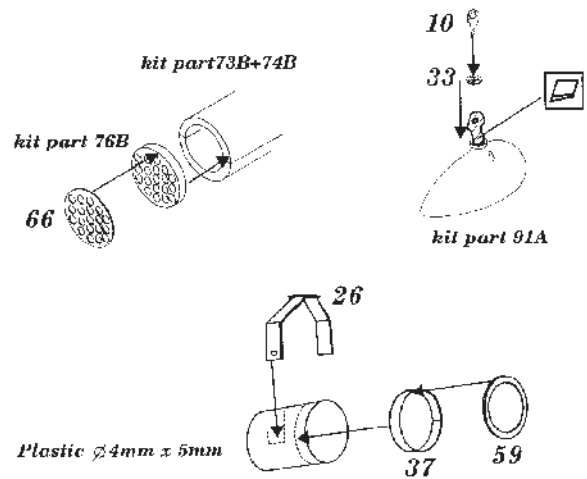
kit parts A11, A12, XX



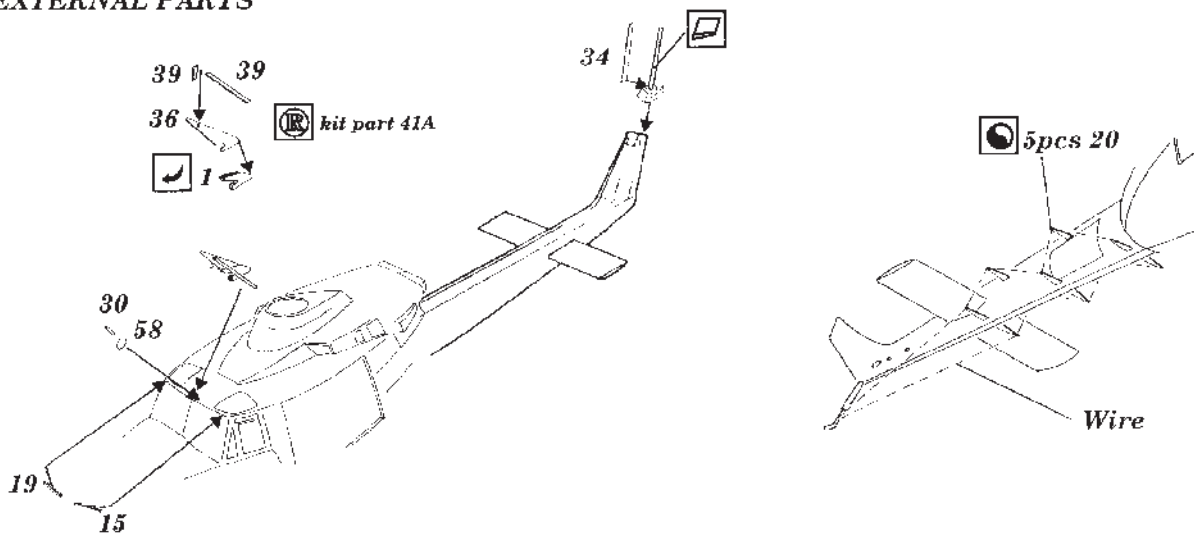
### B MAIN ROTOR



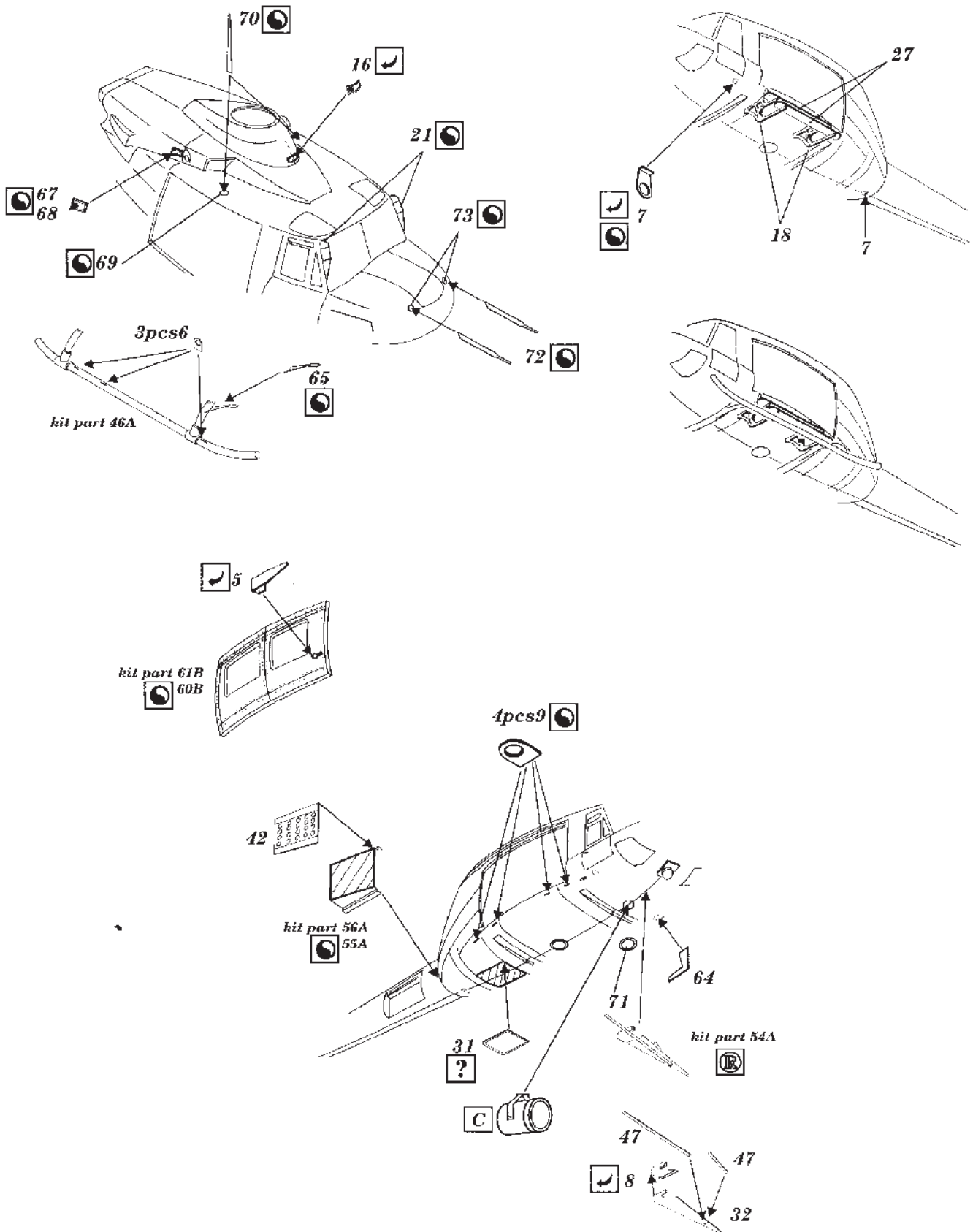
### C WEAPONS & EQUIPMENT



### D EXTERNAL PARTS



**E** EXTERNAL PARTS



Parts 69,70,72,73,21,31,64 for Bell 412HP version only